



CLEANING / MAINTENANCE

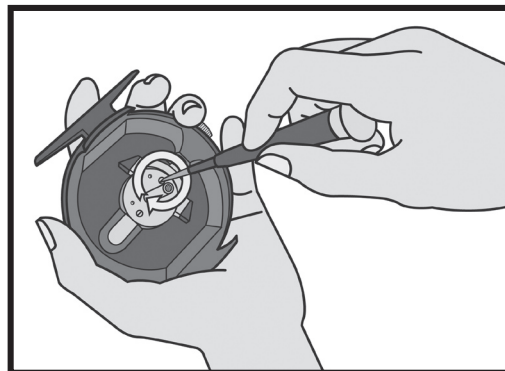
There is virtually no maintenance required. Occasionally, a few drops of TiborLube should be applied to the drag felt. If sand or dirt gets into the reel, simply remove the Spool, flush with fresh water and reinstall the Spool. Aside from the Drag Felt, there is nothing on the reel to lubricate.

Periodically, especially after extensive exposure to saltwater, the line and backing should be removed and wiped down with a wet cloth to remove salt. When the reel, line and backing are completely dry, the reel should be stored in the protective pouch.

CONVERSION FROM LEFT TO RIGHT HAND RETRIEVE

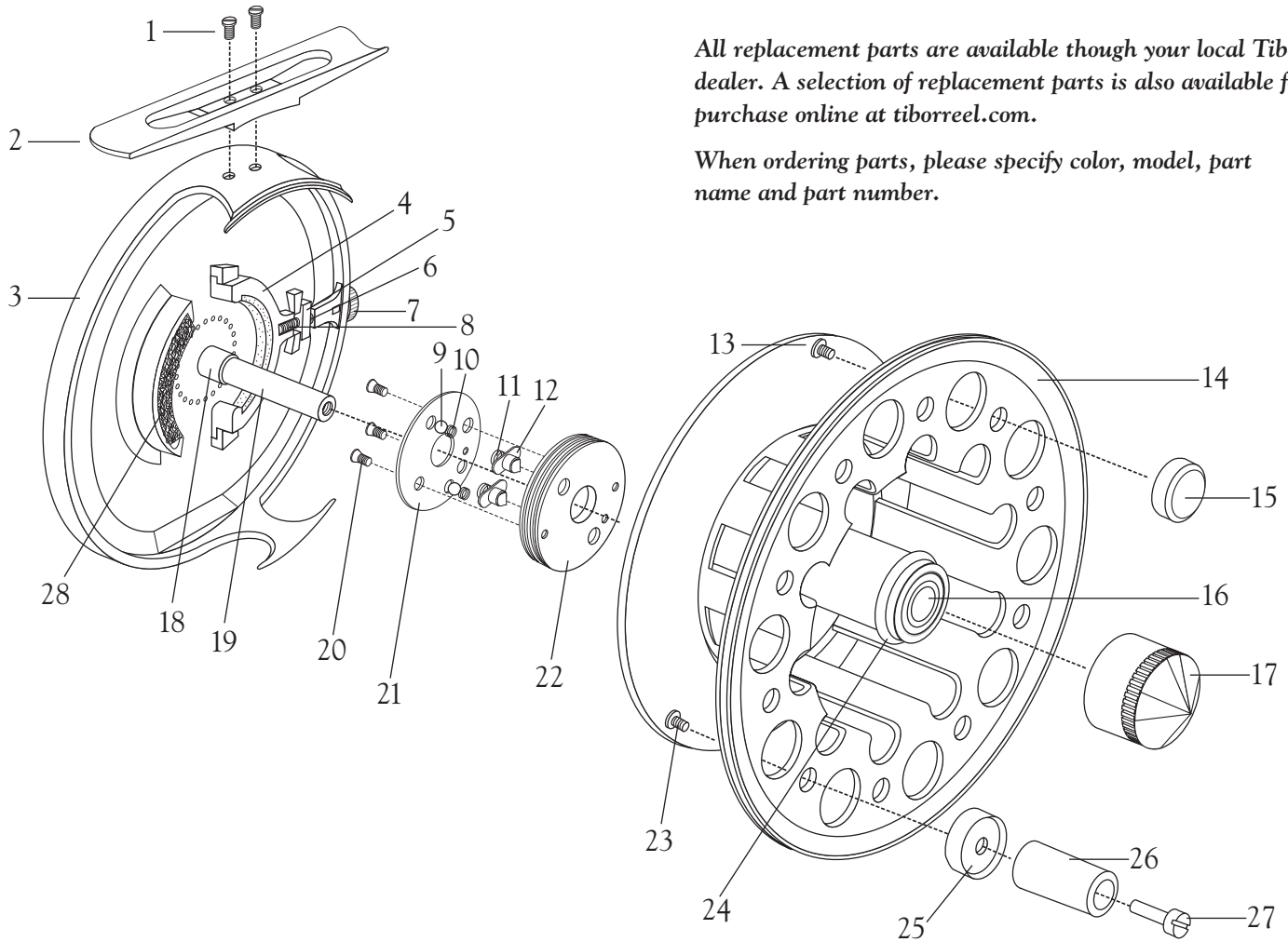
Tibor Light reels are shipped from the factory with left hand retrieve unless specified. An authorized dealer can easily convert your Tibor Light CL reel from left to right hand retrieve for you. You may also convert the reel yourself in three easy steps by rotating the Clutch Pins on the Brake Drum. Please refer to the numbered parts list on the reverse side.

1. Begin by tightening the Drag Adjustment Screw (part #7); then loosen the Retainer Knob (part #17) and remove the Spool (part #14).
2. Using a small screwdriver, simply press and rotate both Clutch Pins (part #12) 180° so that the “slope” of the Pins faces the opposite direction.
3. Replace the Spool and tighten the Retainer Knob.



TIBOR REELS
The World's Finest Fly Reels

TIBOR LIGHT®: BACK COUNTRY CL WIDE



All replacement parts are available through your local Tibor dealer. A selection of replacement parts is also available for purchase online at tiborreel.com.

When ordering parts, please specify color, model, part name and part number.

Ref.#	Part Name	Part#	Ref.#	Part Name	Part#
1	Reel Stand Screw	LCP-1	15	Counter Weight	TL-15
2	Reel Stand	BC-2	16	Two Ball Bearings	LCP-16
3	Frame	BCW-3	17	Retainer Knob	TL-17
4	Drag Brake Caliper	BC-4	18	Main Shaft Screw	LCP-18
5	Drag Adjustment Block	TL-5	19	Main Shaft	BCW-19
6	Stop Nut	TL-6	20	Retainer Plate Screws	LCP-20
7	Drag Adjustment Screw	BC-7	21	Brake Drum Cover	BC-21
8	Drag Spring	BC-8	22	Brake Drum	BC-22
9	Out-Going Clicker Ball	LCP-9	23	Handle Knob Screw	LCP-23
10	Out-Going Clicker Spring	LCP-10	24	O-Ring	LCP-24
11	Clutch Spring	LCP-11	25	Handle Knob Seat	TL-25
12	Easy Change Clutch Pin	TL-12	26	Handle Knob	TL-26
13	Counter Weight Screw	LCP-13	27	Handle Knob Shoulder Screw	TL-27
14	Spool	BCW-14	28	ConstaLube Felt	BCW-32



TIBOR REELS

The World's Finest Fly Reels