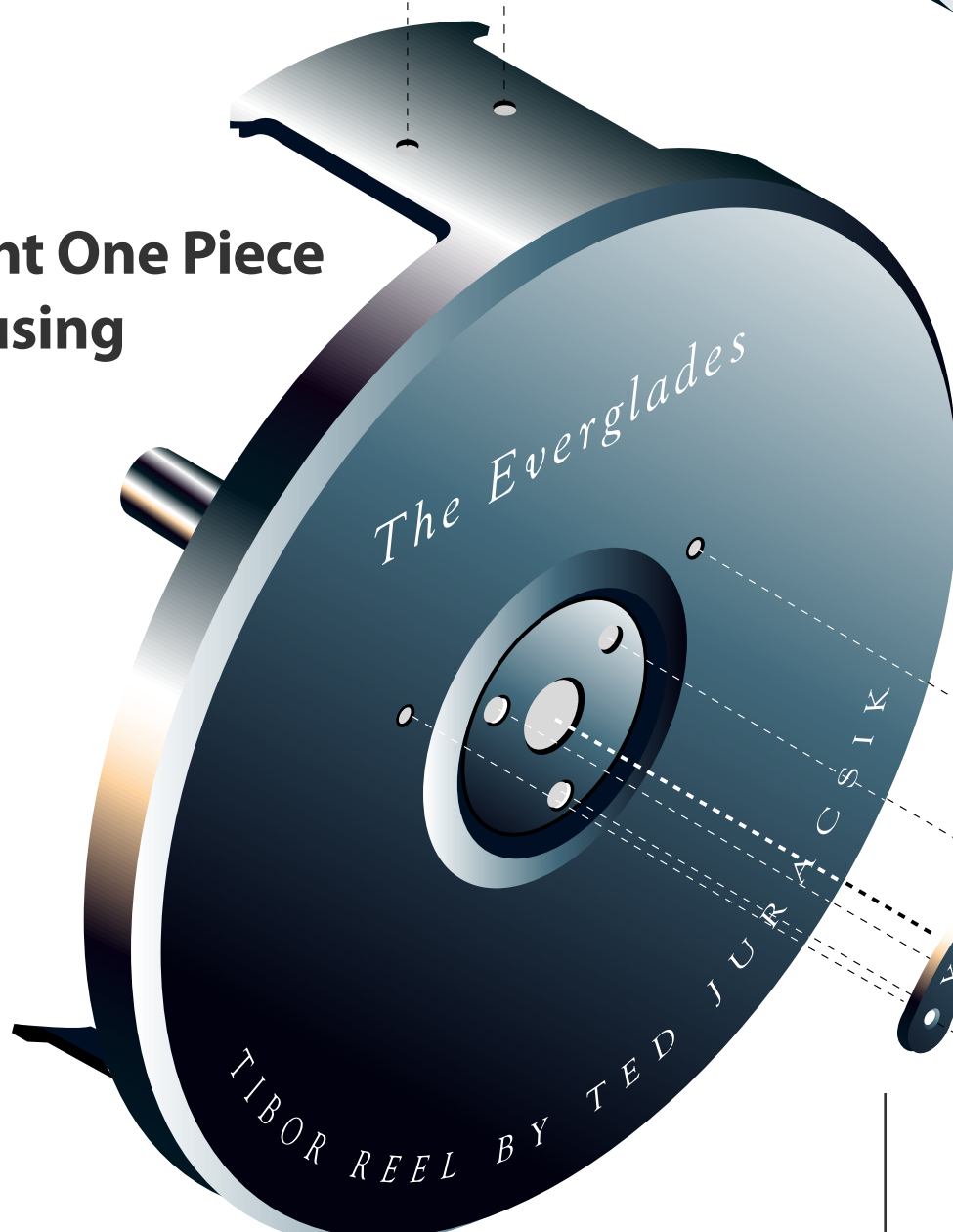
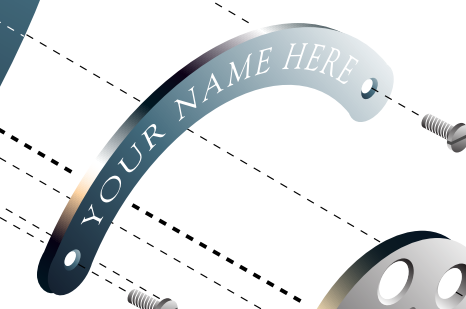


# Tibor Series

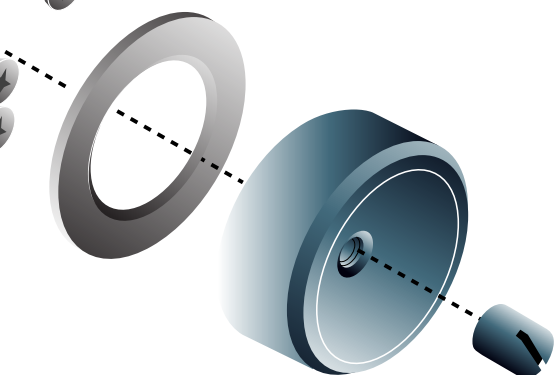
**Lightweight One Piece Frame Housing**



**Personalized Nameplate**  
Each Tibor reel features a personalized nameplate engraved free.

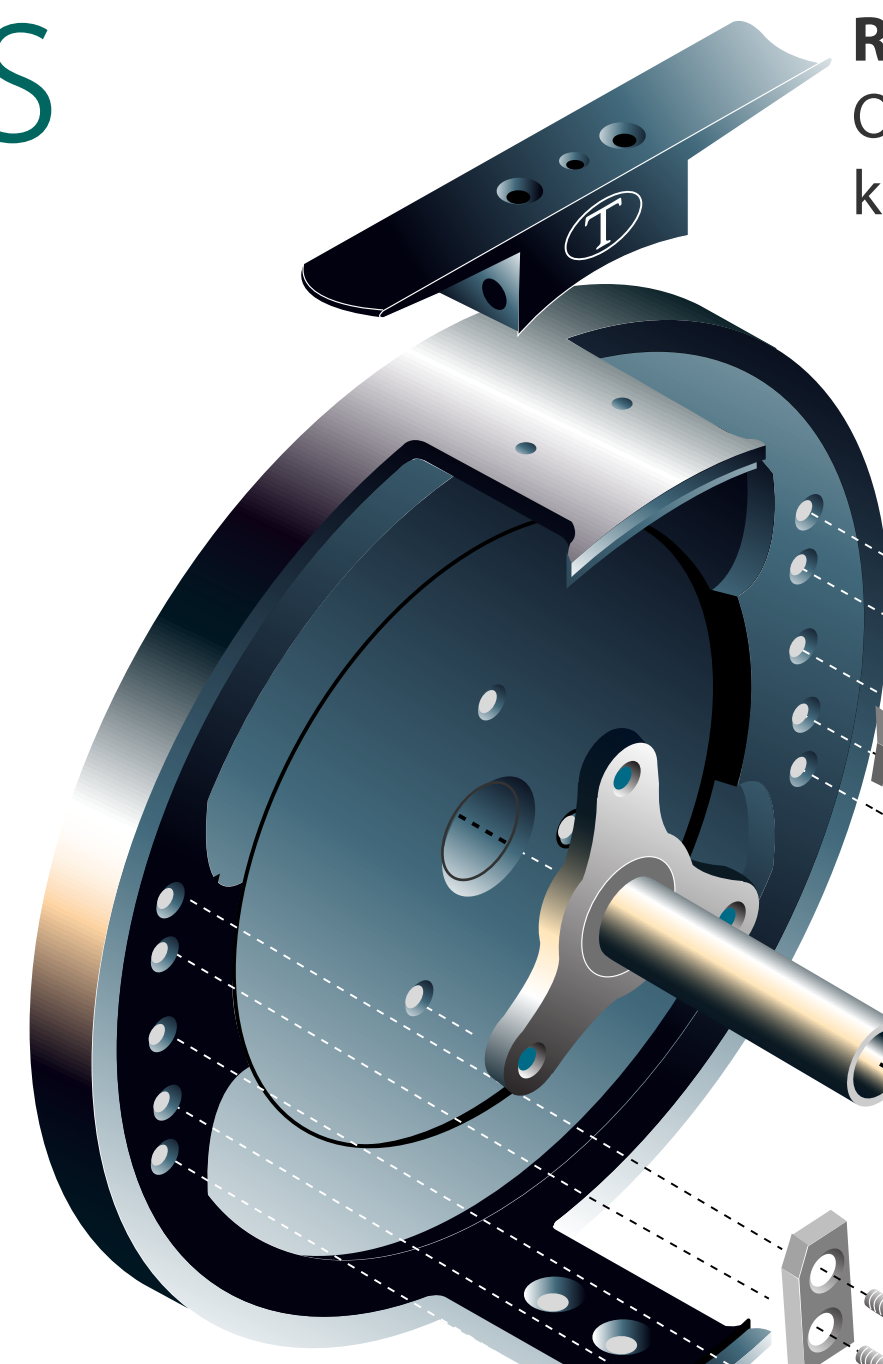


**Detented Drag Knob**  
Offers positive gripping & adjustment control.



## Reel Stand

Our balanced reel stand includes hook keepers for hiding the points of larger flies.



**Large Impregnated Cork Drag Washer**  
With one sealed Ball Bearing.

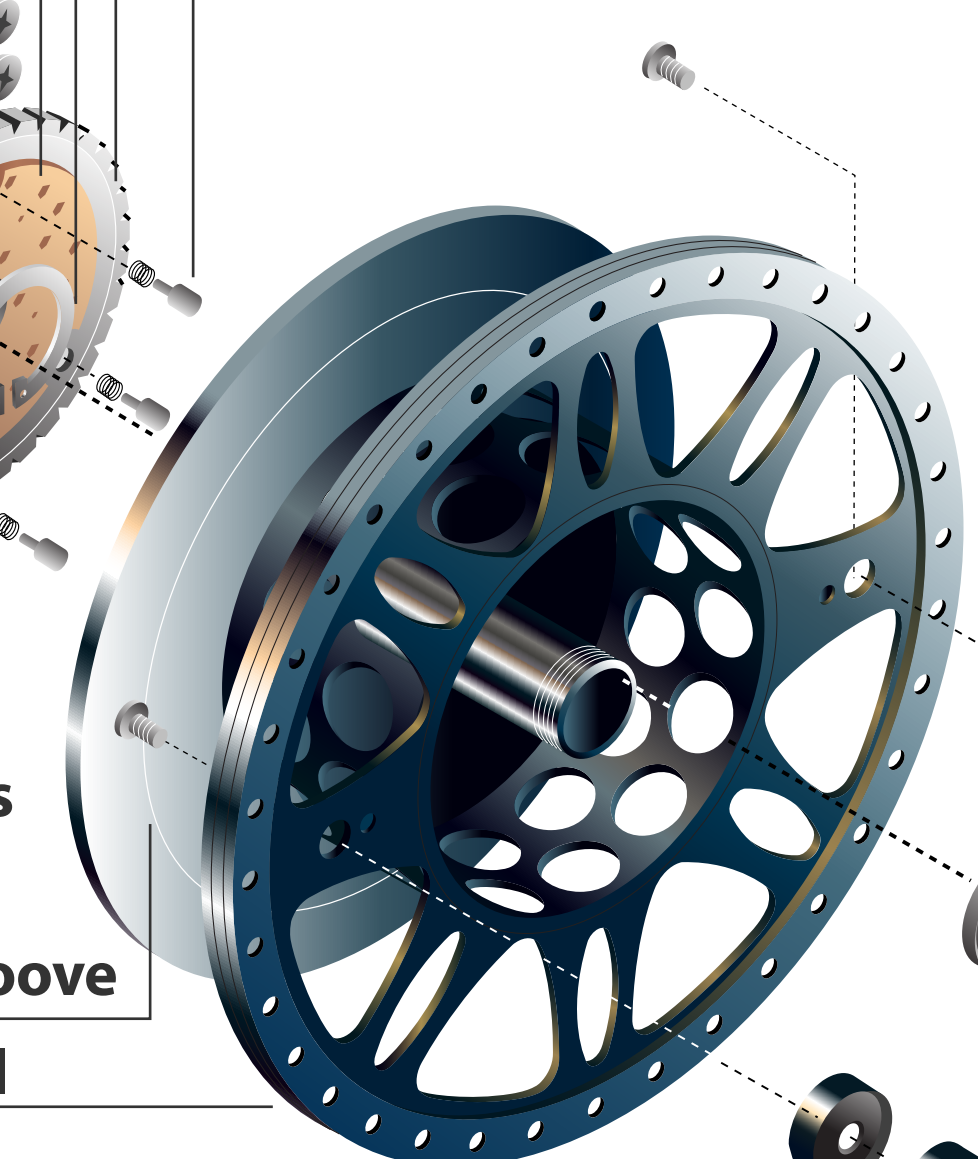
**Snap Ring**

**Ceramic Coated Gear**

**Clicker Pins for Outgoing Signal**

**Dual, positive Clutch Dogs**  
for rugged dependability.

**Backing Groove**  
**Rim Control**



**One-Piece Large Hub Diameter Spool**  
With two sealed Ball Bearings. Outer holes act as a tippet keeper.

**Counterweight**

**Solid SST Draw Bar**

**Delrin Handle**  
Offers positive gripping and quick release.

**Dust and Waterproof Spool End Cap**

**Main Shaft Cap Screw**

By inserting a penny here, you can easily disassemble the drag system.

